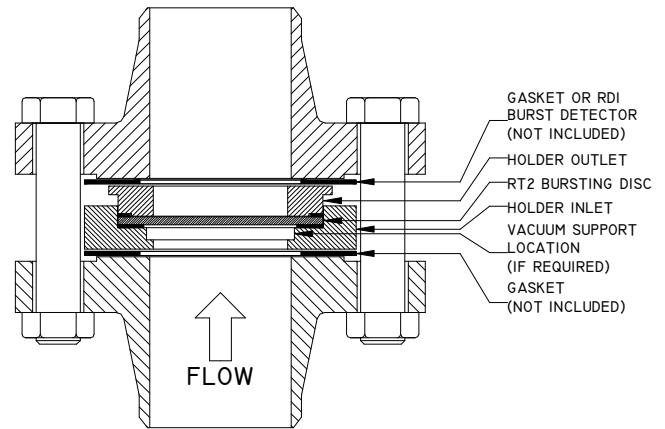
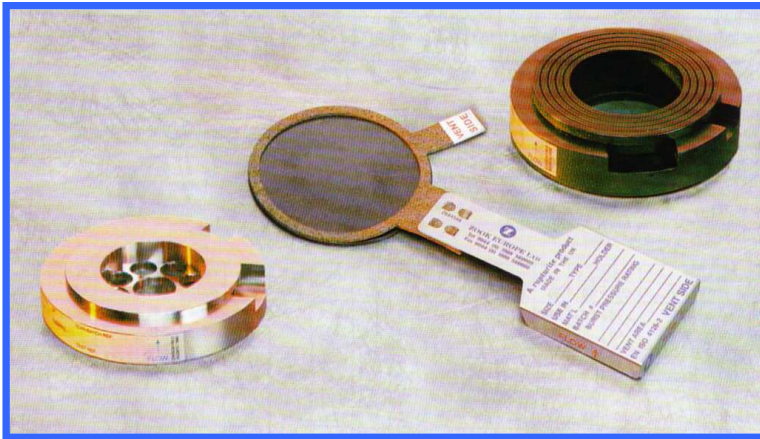


ZOOK®

RT2T Series FLUOROPOLYMER SINTERED GRAPHITE BURSTING DISCS



RT2T DISC AND HOLDER
TYPICAL INSTALLATION

RT2T Disc Features

- FLUOROPOLYMER SINTERED Graphite Discs are more corrosive resistant and less temperature sensitive than Metal and Conventional Resin Impregnated Graphite Discs
- Fluoropolymer (Teflon) sintered Process face is highly corrosion resistant
- Fluoropolymer (Teflon) sintered Process face is non stick and FDA approved for food contact
- Wider temperature range than conventional graphite discs, up to 260°C without temperature shield
- The RT2T Disc is suitable for Gas, Liquid or Vapour Service.
- Fits into a re-usable Disc Holder – holder available in Stainless Steel, Teflon Coated Stainless Steel and Glass Filled Teflon (consult ZOOK Europe Ltd for other materials)
- The Zook RT2T type Bursting Disc is equivalent in size to most other manufacturers Replacement Element type Graphite Discs, i.e. EH2, G2, Series 2, E2, and in most cases will fit into their holders (Consult Zook Europe Ltd first)
- The RT2T Disc can handle an Operating Pressure of up to 80 % of the Minimum Rated Burst Pressure of the Disc.
- Standard Burst Tolerances are +/- 10 % for 5 Psig and above, and +/- ¼ Psig for below 5 Psig.
- The RT2T Disc can withstand Full Vacuum if Rated at 25 Psig and above. For Discs Rated below 25 Psig, a Reverse Pressure Support (RPS) must be fitted into the Disc Holder. (Note :- The RPS is a fixed type Vacuum Support and will reduce the Free Flow Area of the Disc on Burst – Consult Zook Europe)
- The RT2T Discs will be manufactured, where applicable, in accordance to the latest Pressure Equipment Directive (PED.) 97/23/EC (Category IV) and will carry our CE Mark in compliance to EN-4126-2. Burst Test Certificates will be supplied with the discs. (ASME or TUV Testing are also available if required).
- Burst detection available for most applications by fitting RDI detector in place of holder outlet side gasket, consult ZOOK Europe Ltd.

Burst Pressure Range available (PSIG), by size for the RT2T Graphite Disc

Nominal Size	25 mm	40 mm	50 mm	65 mm	80 mm	100 mm	150 mm	200 mm	250 mm
Min (Psig)	12	10	7.25	6	5	4	2	1	1
Max (Psig)	400	300	200	175	150	100	75	50	50

Notes :-

1. The RT2T Disc will Fragment on Burst



ZOOK Enterprises, LLC
16809 Park Circle Drive
Chagrin Falls, OH 44022 U.S.A.
Toll Free 800.543.1043
Phone 440.543.1010
Fax 440.543.4930
E-mail sales@zook.cc

ZOOK Canada, Inc.
4400 South Service Road
Burlington, ON Can. L7L 5R8
Toll Free 800.370.6057
Phone 905.681.2885
Fax 905.681.8838
E-mail sales.canada@zook.cc

ZOOK Europe, LTD.
Unit 1.14, Great House Waterside Business Park
Redwall Close, Rotherham Road
Dinnington, Sheffield UK. S25 3QA
Phone 0044 (0) 1909 560999
Fax 0044 (0) 1909 560860
E-mail zookeurope@zook.cc



visit us on the web at www.zook.cc