

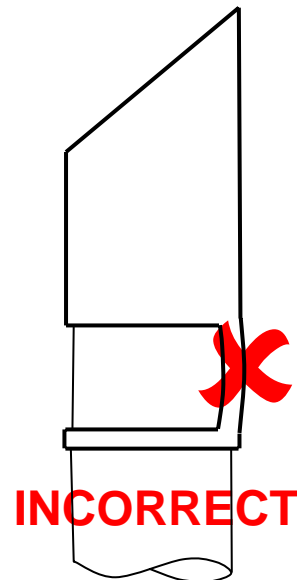
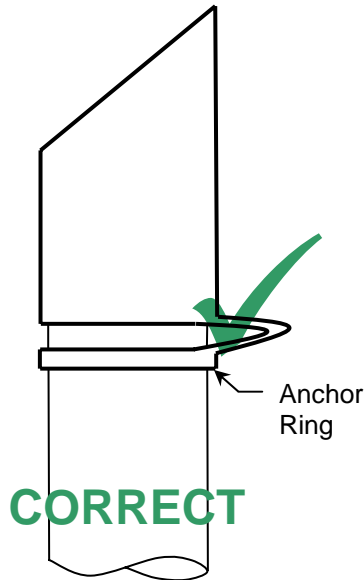


ZOOK USA
 16809 Park Circle Drive
 Box 419
 Chagrin Falls, OH 44022

Phone **440.543.1010**
 U.S.A. Toll Free **800.543.1043**
 Fax **440.543-4930**
 E-Mail **zook@zook.cc**
www.zook.cc

PG Series Pipe Guard INSTALLATION GUIDE

1. Pipe Guard should fit snugly over outside diameter of pipe. The PG is designed to be installed on standard schedule piping.
2. For best performance, pipe end and OD should be free from any burrs.
3. Position the Anchor ring close to the bottom of Pipe Guard for proper performance (as shown below).
4. It is not recommended that the PG be installed on plastic, PVC, or Vinyl piping.
5. The PG series cannot be installed onto piping designed to provide vacuum relief to a process.
6. A minimum relieving pressure of 5 psi is required to lift PG off of the piping.



ZOOK USA

...rupture disks and related products

Printed in USA © ZOOK Enterprises, LLC, all rights reserved

Bulletin No. 980 Rev.B

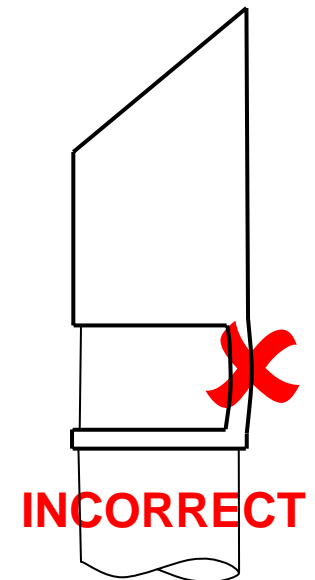
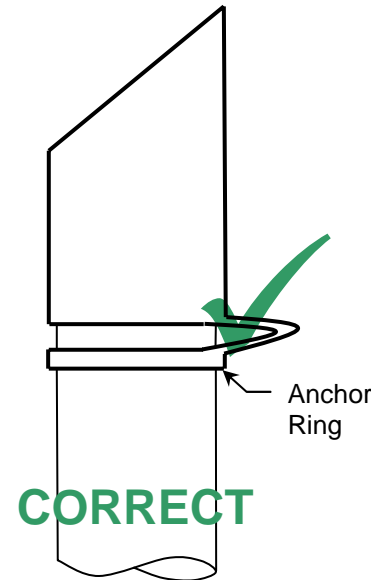


ZOOK USA
 16809 Park Circle Drive
 Box 419
 Chagrin Falls, OH 44022

Phone **440.543.1010**
 U.S.A. Toll Free **800.543.1043**
 Fax **440.543-4930**
 E-Mail **zook@zook.cc**
www.zook.cc

PG Series Pipe Guard INSTALLATION GUIDE

1. Pipe Guard should fit snugly over outside diameter of pipe. The PG is designed to be installed on standard schedule piping.
2. For best performance, pipe end and OD should be free from any burrs.
3. Position the Anchor ring close to the bottom of Pipe Guard for proper performance (as shown below).
4. It is not recommended that the PG be installed on plastic, PVC, or Vinyl piping.
5. The PG series cannot be installed onto piping designed to provide vacuum relief to a process.
6. A minimum relieving pressure of 5 psi is required to lift PG off of the piping.



ZOOK USA

...rupture disks and related products

Printed in USA © ZOOK Enterprises, LLC, all rights reserved

Bulletin No. 980 Rev.B