

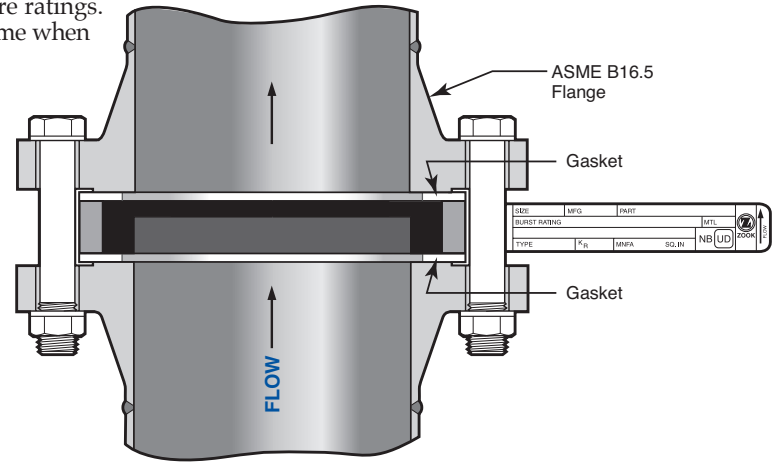
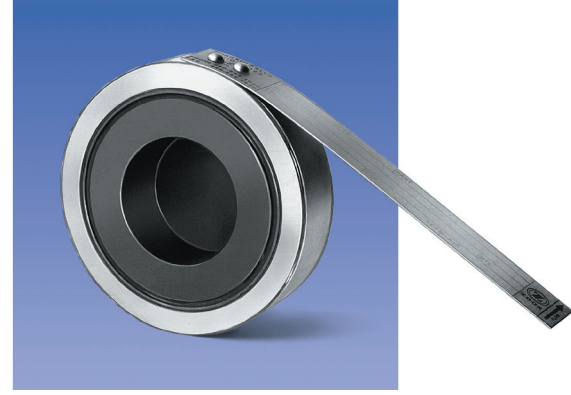
MONO Type

the best choice for low and intermediate burst ratings

- Sizes 1/2" thru 24" diameters
- Designed to fit ASME B16.5 Class 150 flanges (Higher ratings to fit Class 300 flanges are furnished in the INVERTED and DUPLEX Type Disks)
- Burst ratings 0.25 to 150 psig
- 0% manufacturing range
- Operating pressures to 90% of the disk's marked burst pressure (Contact ZOOK for operating ratio for burst pressures below 40 psig)
- Temperature ratings -290°F to +700°F (-179°C to +371°C). Maximum temperature rating without insulation is 430°F (221°C) or 700°F (371°C) with insulation. Contact ZOOK for higher temperature ratings. The specified temperature shall be at the disk location at the time when the disk is expected to rupture
- Counterbored side of the disk contacts the process media
- Vacuum supports are available for ratings below 25 psig
- May be configured to withstand high back pressure generated in closed piping systems – request Bak-Pressure™ bulletin
- Stocked MONO Disks, ready for immediate shipment
 - Sizes: 1", 1-1/2", 2", 3", 4", 6", 8" to fit ASME B16.5 Class 150 flanges
 - Burst Ratings: 10, 15, 20, 25, 30, 40, 50, 75, 100, 125, 150 psig @ 72°F (22°C)

Note: Sizes 3" through 8" with burst ratings 125 and 150 psig @ 72°F (22°C) are stocked in INVERTED type

- ASME UD marking available



Certified Flow Resistance Factor (K_{rgl})

| Support Style | K_{rgl} |
|-------------------|-----------|
| MONO – no support | 0.26 |
| MONO – with bar | 2.40 |
| MONO – with cross | 5.40 |
| MONO – with ring | 6.44 |
| MONO – with plate | 15.70 |

Required Vacuum Support Style for Full Vacuum Service

| Size | Burst Rating | Support Style |
|----------|-------------------|-------------------|
| 1" | below 25 psig | MONO – with ring |
| 1-1/2" | below 25 psig | MONO – with bar |
| 2" - 14" | 9 to 25 psig | MONO – with bar |
| 2" - 14" | 5 to below 9 psig | MONO – with cross |
| 2" - 14" | below 5 psig | MONO – with plate |

Contact ZOOK for sizes 16" and larger

Specifications – ASME B16.5 Class 150

| Nominal Disk Sizes | Minimum net flow area (MNFA) Sq. inches | | | | | Disk Dimensions | | | | Burst Ratings psig | |
|--------------------|---|----------------------|--------|--------|--------|-----------------|---------|---------------|----------------|--------------------|------|
| | Full Bore | Vacuum support style | | | | Diameter | | Thickness* | | | |
| | | Ring | Bar | Cross | Plate | I.D. | O.D. | Standard Disk | Insulated Unit | Min. | Max. |
| 1/2" | 0.30 | N/A | N/A | N/A | N/A | 0.622" | 1-3/4" | 5/8" | 1-3/4" | 25 | 150 |
| 3/4" | 0.53 | N/A | N/A | N/A | N/A | 0.824" | 2-1/8" | 5/8" | 1-3/4" | 25 | 150 |
| 1" | 0.78 | 0.44 | 0.60 | 0.47 | 0.32 | 1" | 2-1/2" | 7/8" | 2-1/4" | 10 | 150 |
| 1-1/2" | 1.76 | N/A | 1.34 | 1.05 | 0.72 | 1-1/2" | 3-1/4" | 7/8" | 2-1/4" | 7 | 150 |
| 2" | 3.14 | N/A | 2.39 | 1.86 | 1.30 | 2" | 4" | 7/8" | 2-1/4" | 3 | 150 |
| 3" | 7.06 | N/A | 5.56 | 4.31 | 2.95 | 3" | 5-1/4" | 7/8" | 2-1/4" | 2 | 100 |
| 4" | 12.56 | N/A | 10.56 | 8.81 | 5.47 | 4" | 6-3/4" | 7/8" | 2-1/4" | 1.5 | 100 |
| 6" | 28.27 | N/A | 22.27 | 17.27 | 12.05 | 6" | 8-5/8" | 7/8" | 2-1/4" | 1 | 100 |
| 8" | 50.02 | N/A | 40.26 | 31.82 | 21.14 | 8" | 10-7/8" | 1-1/8" | 2-3/4" | 0.50 | 100 |
| 10" | 78.53 | N/A | 63.53 | 50.78 | 32.66 | 10" | 13-1/4" | 1-1/2" | 3-3/8" | 0.25 | 100 |
| 12" | 113.09 | N/A | 89.09 | 69.09 | 47.24 | 12" | 16" | 2" | 4-3/8" | 0.25 | 75 |
| 14" | 137.88 | N/A | 108.06 | 83.31 | 58.07 | 13-1/4" | 17-5/8" | 2-1/4" | 4-7/8" | 0.25 | 50 |
| 16" | 182.65 | N/A | 144.52 | 112.65 | 84.49 | 15-1/4" | 20-1/8" | 2-1/2" | 5-3/8" | 0.25 | 50 |
| 18" | 233.70 | N/A | 181.95 | 153.70 | 104.31 | 17-1/4" | 21-1/2" | 2-3/4" | 5-7/8" | 0.25 | 50 |
| 20" | 291.03 | N/A | 233.28 | 184.53 | 122.49 | 19-1/4" | 23-3/4" | 3" | 6-3/8" | 0.25 | 40 |
| 24" | 424.55 | N/A | 354.80 | 294.05 | 190.61 | 23-1/4" | 28-1/8" | 3" | 6-3/8" | 0.25 | 25 |

*Standard disk thickness does not include gaskets.

Insulated unit thickness includes all gaskets

Note: Maximum pressure rating of ASME B16.5 Class 150 flanges is 290 psig @ 100°F (38°C).

The maximum pressure rating is lower at higher temperatures.

Reference ASME/ANSI B16.5

ZOOK service personnel are available 24 hours-a-day, 7 days-a-week, 365 days-a-year