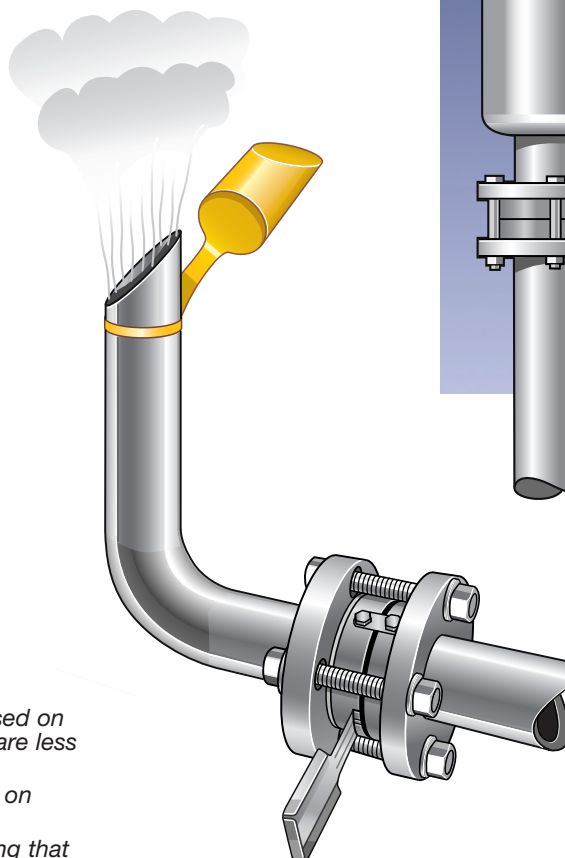
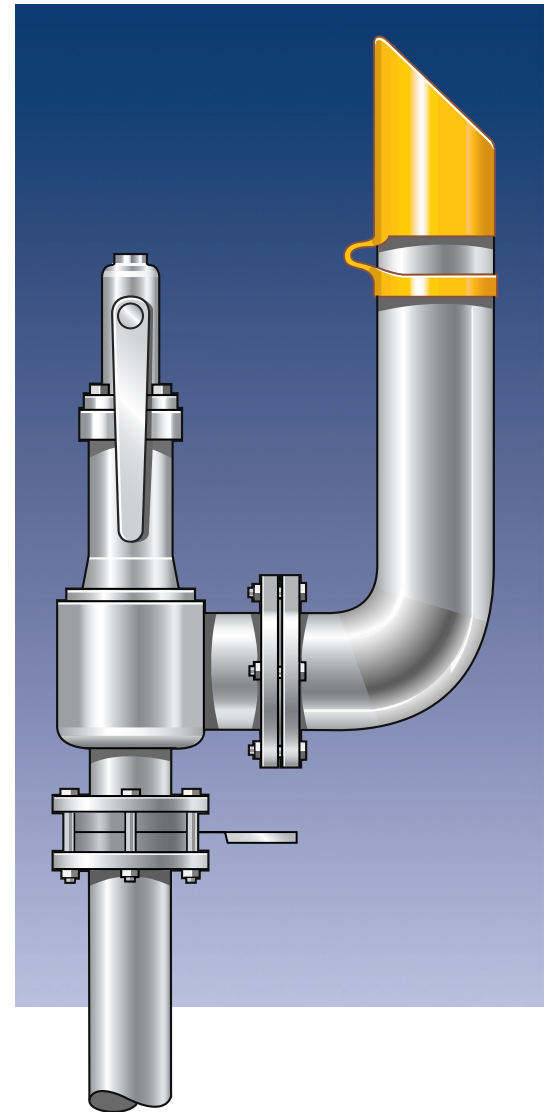


### Features

- Fits 1/2" thru 24" nominal pipe sizes (Consult ZOOK if using on TUBING)
- High visibility Chrome Yellow color
- Installs without tools
- Withstands severe weather conditions: rain, ice, snow and seals out insects, birds, nests, sand, dust and salt spray
- Eliminates equipment deterioration caused by external environment
- Reduces operating and repair costs – extending equipment life
- Visual indication of fugitive emissions
- Chemically resistant – will not shrink or discolor
- Non-toxic PVC construction blended with ultraviolet inhibitors
- Non-combustible
- Minimal interior pressure surge removes Pipe Guard from pipe
- Durable and reusable
- Five year unconditional guarantee against environmental degradation



### Industries

- Petrochemical
- Pharmaceutical
- Transportation
- Off-shore platforms
- Oil and Gas exploration
- Food Processing
- Paper Mills

### Applications

Protection of SRV, Rupture Disks, Manifold piping systems, Ductwork, Common header systems, Flame stacks, Storage tanks

- *PG Series Pipe Guard should not be used on applications where relieving pressures are less than 5 psi*
- *PG Series is not recommended for use on PVC, Plastic, or Vinyl piping*
- *PG Series cannot be used on vent piping that is installed to provide vacuum relief*

● *ZOOK PG Series Pipe Guards are manufactured in accordance with the Code of Federal Regulation 49 192.199 (requirements for design of pressure relief and limiting devices).*

# ZOOK® PG Series Pipe Guard

## 10 Most Frequently Asked Questions

### 1. What are the pressure limits of the PG Series Pipe Guard?

ZOOK recommends using the PG on applications where relieving pressures greater than 5 psi are expected. However, PVC solvents and acrylic or polymer paints applied to the exhaust pipe prior to installation of the PG, and not yet cured, is likely to cause bonding of the product to the pipe.

### 2. Is the PG Series Pipe Guard made in sizes larger than 14"?

**Yes.** Larger sizes require milling of special molds and addition of stiffeners within the PVC to prevent sagging of the 45° sloped top. Contact ZOOK for sizes larger than 14".

### 3. What are the temperature limits of the PG Series Pipe Guard?

The PG functions remain consistent between temperatures of -100°F to 280°F.

### 4. If the PG Series Pipe Guard bonds with the pipe will it rupture under pressure?

**PERHAPS.** A 1" PG with a wall thickness of 30–50 MIL will rupture in the 20 PSI range. The greater the diameter of the PG, less pressure is required to cause rupture or removal.

### 5. Can the PG Series Pipe Guard be used on all vent piping?

**NO.** It is *not* recommended that the PG Series Pipe Guard be used on vent piping installed to provide vacuum relief to a process. The PG Series Pipe Guard should only be used on vent piping that vents positive pressures.

### 6. Will the lanyard device prevent loss of the PG as a result of a significant pressure surge?

**YES.** The lanyard restraint assures the customer that the PG Series Pipe Guard will remain on the exhaust pipe.

### 7. Is the PG Series Pipe Guard available with a flat top surface instead of the 45° angle top surface?

**NO.** The slope design sheds debris and precipitation, prevents sagging and deflects damaging environmental particles. The 45° slope contributes to extended product life and structural stability. The PG Series Pipe Guard offers the same protection when installed on a nipple with a 90° cut as one with the 45° cut.

### 8. Are PG Series Pipe Guards available without the lanyard attachment?

**NO.** However, the lanyard attachment may be easily removed.

### 9. Does exposure to high sulfur-content compounds affect the PG Series Pipe Guard?

**NO.** Due to a change in the chemical makeup of the PG Series Pipe Guard in June 1994 they no longer discolor when exposed to sulfur-containing compounds or environment.

### 10. Is the PG Series Pipe Guard available in any color other than Chrome Yellow?

**YES.** Chrome Yellow is the most vivid and highly visible color available. Our product may be special ordered\* in other colors. Special order shipments will require at least 14 business days for shipping.

*\*Special Orders consist of any items without assigned part numbers.*



**ZOOK Enterprises, LLC**  
16809 Park Circle Drive  
Chagrin Falls, OH 44022 U.S.A.  
Toll Free **800.543.1043**  
Phone **440.543.1010**  
Fax **440.543.4930**  
E-mail **sales@zook.cc**

**ZOOK Canada, Inc.**  
4400 South Service Road  
Burlington, ON Can. L7L 5R8  
Toll Free **800.370.6057**  
Phone **905.681.2885**  
Fax **905.681.8838**  
E-mail **sales.canada@zook.cc**

**ZOOK Europe, LTD.**  
Navigation House, Bridge Street  
Killamarsh, Sheffield UK. S21 1AL  
Phone **0044 (0) 1909 560999**  
Fax **0044 (0) 1909 560860**  
E-mail **zookeurope@zook.cc**



visit us on the web at [www.zook.cc](http://www.zook.cc)